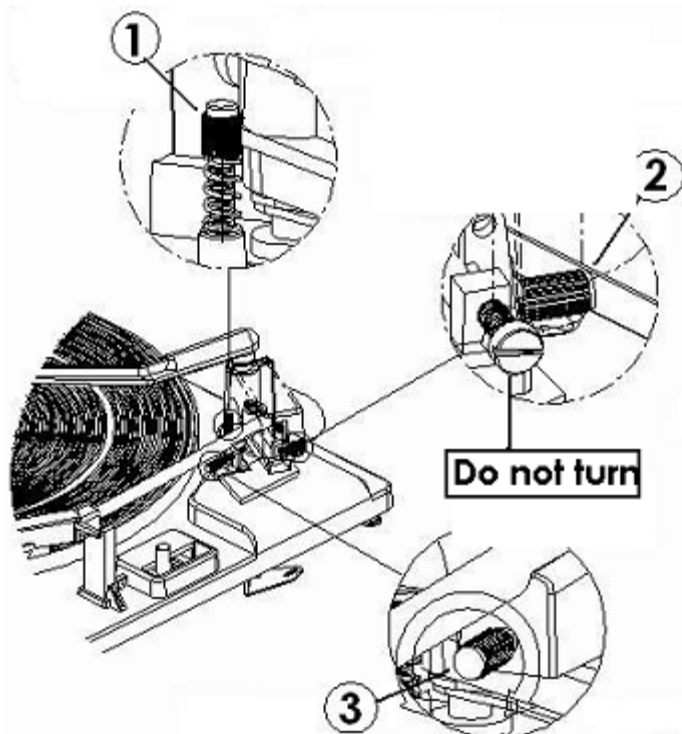


Tone Arm Adjustment



- 1 Adjust this screw if the Tone Arm(25) is not raising high enough to clear to the Tone Arm Rest(27). Turn the screw counter-clockwise to raise the height. Turn the screw clockwise to lower the height.
- 2 Adjust this screw if the Tone Arm(25) drops on the record too early or too late. Turn the screw counter-clockwise to start at a later point. Turn the screw clockwise to start at an earlier point.
- 3 Adjust the screw if you feel there is not enough tone arm pressure on the record. Turn the screw counter-clockwise to increase pressure. Turn the screw clockwise to decrease the pressure.

Note: Adjust the screws one turn at a time and check the adjustment after each turn.