

WARRANTY

McGalls.com

CROSLEY

Crosley Radio Products are warranted against defects in material and workmanship for a period of 90 days beginning from the date of sale to the original purchaser.

Should the unit fail under normal usage during the 90 day warranty period, a request for RETURN AUTHORIZATION (R.A.) must be made by the original customer before returning the unit. Call Crosley Radio customer service for Return Authorization at (502) 583-4246 from 9 AM to 5 PM (EST) Monday to Friday.

Upon receiving the RETURN AUTHORIZATION number from the Customer Service Department, properly pack your unit in its original packaging. Include any adapters, parts, & accessories which were originally provided with the product, along with a check or money order for \$19.95 made out to Crosley Radio to cover the handling and return postage. Display the R.A. # on the outside of the carton and ship PREPAID via standard UPS or its equivalent.

**CROSLEY
RADIO**

ATTN: RETURNS DEPT
2001 PRODUCTION DRIVE
BAY 2 & 3
LOUISVILLE, KY 40299

CROSLEY RADIO assumes no responsibility for units sent without prior Return Authorization.

The purchaser's bill of sale is the only proof of warranty entitlement and must accompany the unit.

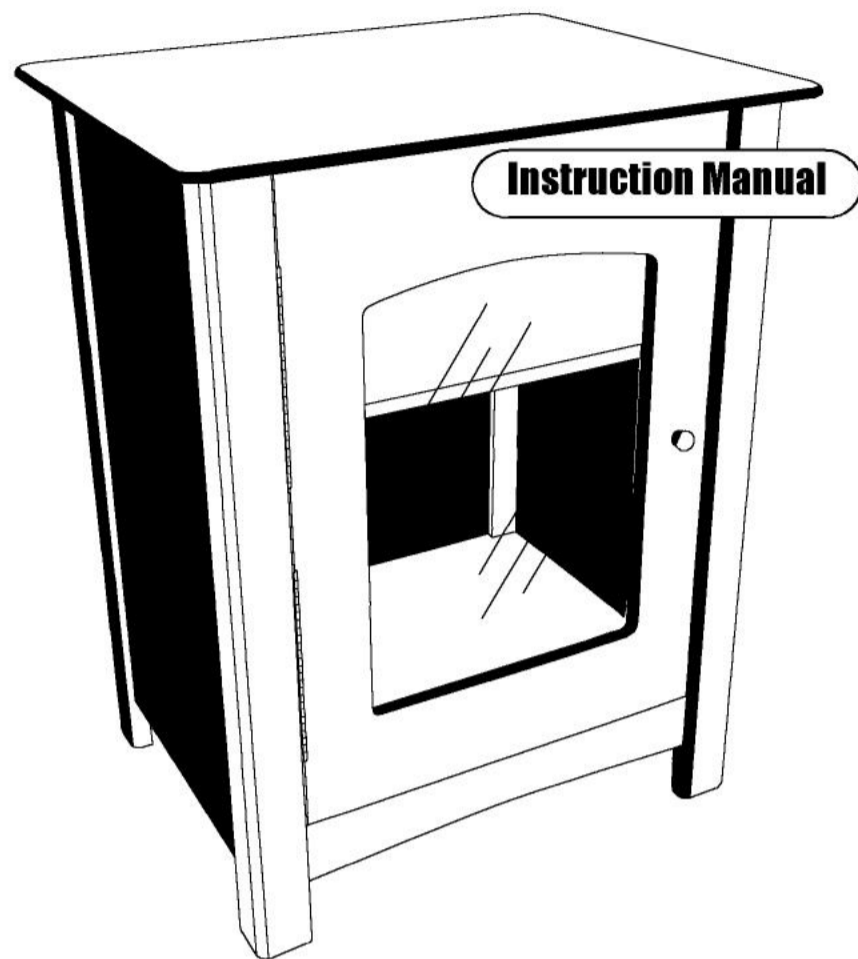
The warranty does not cover damage due to acts of nature, accident, misuse, abuse, negligence, commercial use or modification of, or to any part of the product. This warranty does not cover damage due to improper operation or maintenance, connection to improper voltage supply, or attempted repair by anyone other than a facility authorized by Crosley Radio to service the product. This warranty does not cover products sold AS IS or consumables (such as fuses or batteries). This warranty is valid only in the United States.

This warranty gives the purchaser specified legal rights in addition to any rights which may vary from state to state.

In accordance with the "Moss-Magnuson Warranty Act" of July 10, 1975, this is termed a "limited warranty" which in no way compromises Crosley Radio, high standards of Quality and Workmanship.

ST 75

Entertainment Cabinet



TOOLS REQUIRED

- #1 Phillips head screwdriver
- #2 Phillips head screwdriver

STEP 1

1. Screw 4 CAM BOLTS (02) into the bolts holes of PEDESTAL TOP (A). See Diagram B.

STEP 2

1. Screw 4 CAM BOLTS into the bolt holes on the LEFT SIDE BOARD (C). See Diagram A.
2. Insert 2 CAM LOCKS (03) with the arrows facing towards the top hole on LEFT SIDE BOARD (C). See Diagram A.
3. Insert 4 WOODEN DOWELS into the holes on the LEFT SIDE BOARD (C). See Diagram A.
4. Repeat Steps 1-3 for RIGHT SIDE BOARD (B). See Diagram C.

STEP 3

1. Insert 4 CAM LOCKS into TIER BOARD (F). See Diagram D.

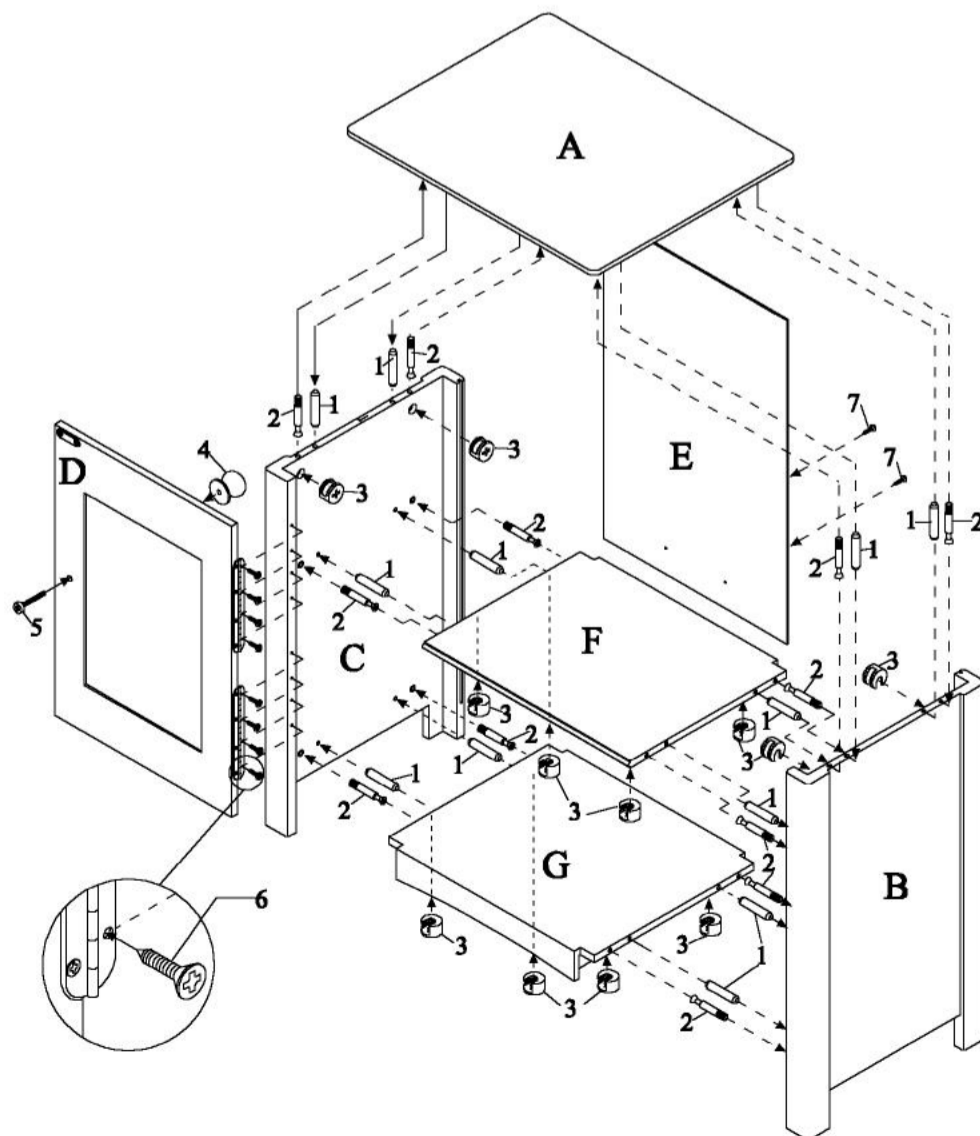
STEP 4

1. Insert 4 CAM LOCKS into the PEDESTAL BOTTOM (G). See Diagram E.

Assembly Instructions.

1. Attach the Tier Board (F) and the Pedestal Bottom (G) to the Left Side Board (C). The Cam Locks should be facing towards the bottom of the stand. Make sure all pieces have the front facing the same way. Using a #2 Phillips head screwdriver, turn the Cam Locks clockwise until they are tight. See Diagram F.
2. Attach the Right Side Board (B). Turn the Cam Locks clockwise until they are tight. See Diagram F.
3. Slide the Back Board (E) into the slots between the Left Side Board (C) and the Right Side Board (B) from the top of the stand. Make sure the two predrilled holes in the Back Board are at the bottom of the stand. Screw the Back Board in place using two supplied screws (07) and the predrilled holes in the Back Board. See Diagram G.
4. Attach the Pedestal Top (A) to the top of Left Side Board (C) and Right Side Board (B). Turn the Cam Locks clockwise until tight. See Diagram H.
5. Attach the Door (D) to the Left Wood Side (C). Make sure the hinges are opened up. Line up the holes in the hinges with the predrilled holes in the Left Side Board (C). Using eight supplied screws (06) and a #1 Phillips screwdriver, fasten the door. See Diagram I.
6. Install the Brass Knob (04) onto the Door using the supplied Machine Screw (05). See Diagram I.

FULL ASSEMBLY DIAGRAM



PARTS LIST

NO	DESCRIPTION	QTY
A	PEDESTAL TOP	1PCS
B	RIGHT SIDE BOARD	1PCS
C	LEFT SIDE BOARD	1PCS
D	DOOR	1PCS
E	BACK BOARD	1PCS
F	TIER BOARD	1PCS
G	PEDESTAL BOTTOM	1PCS
01	WOOD DOWELS	12CS
02	CAM BOLTS	12CS
03	CAM LOCKS	12CS
04	BRASS KNOB	1PCS
05	MACHINE SCREW 4x18BM<GOLD>	1PCS
06	TAPPING SCREW 2.6x12KA<GOLD>	8PCS
07	TAPPING SCREW 3.0x10PWA<BLACK>	2PCS

McGalls.com

ASSEMBLY INSTRUCTION

McGalls.com

Diagram A

Left Wooden Side Board

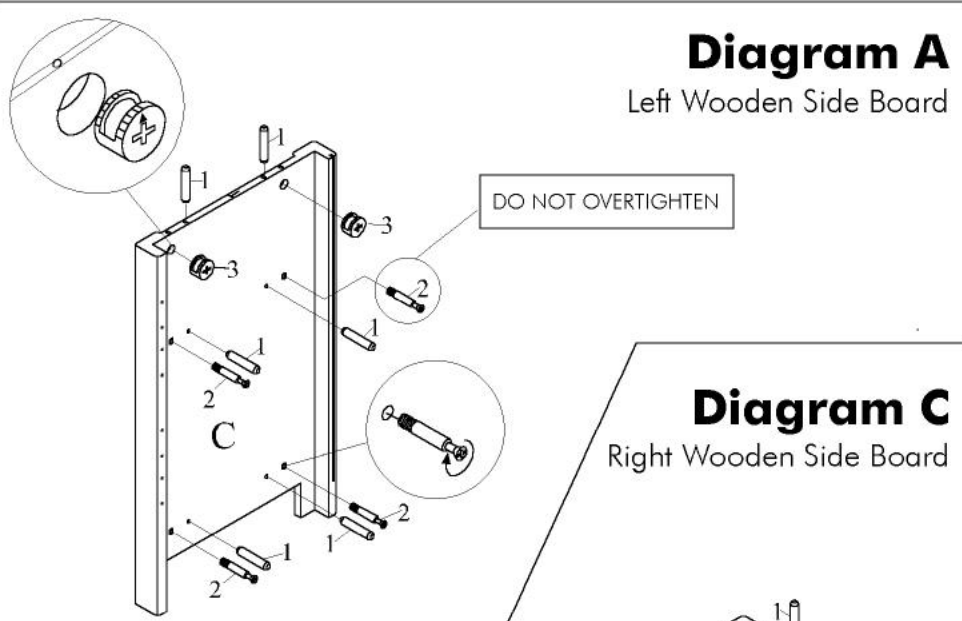


Diagram C

Right Wooden Side Board

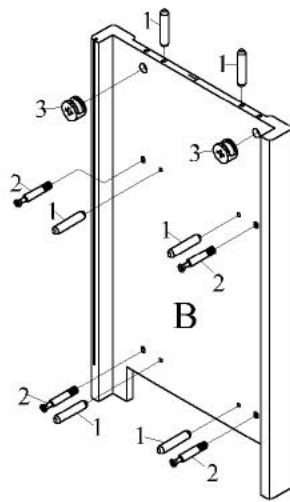


Diagram B

Wooden Pedestal Top

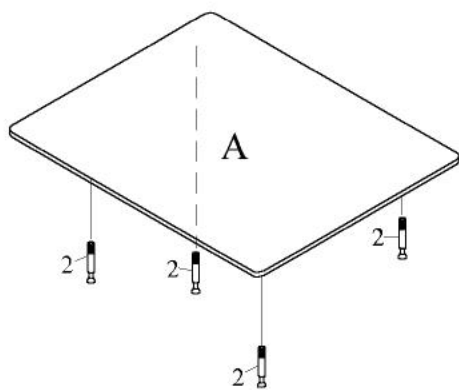


Diagram D

Tier Board

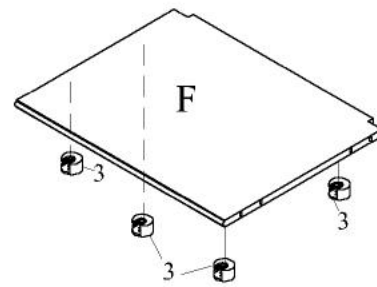


Diagram E

Wooden Pedestal Bottom

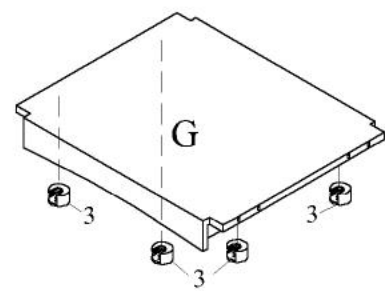


Diagram F

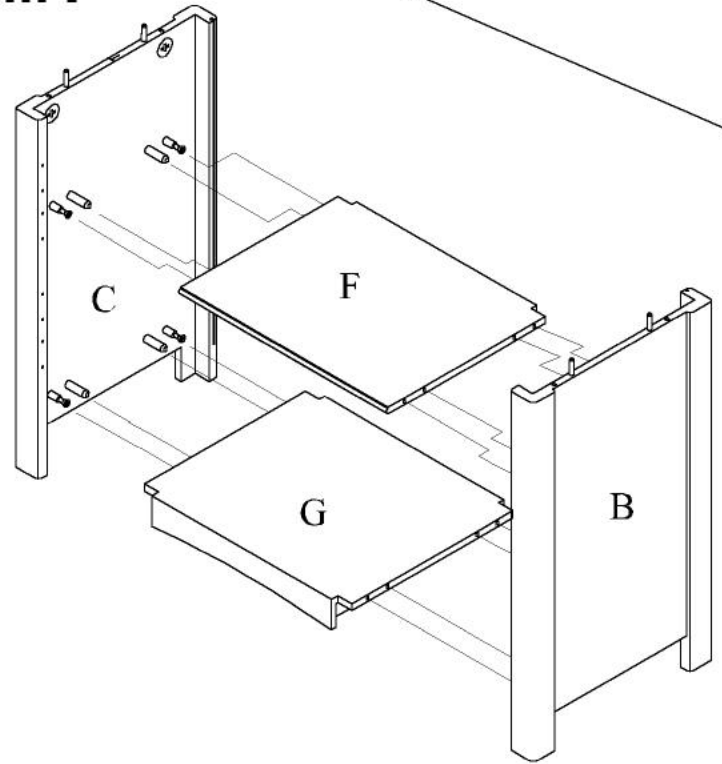


Diagram G

Back Board

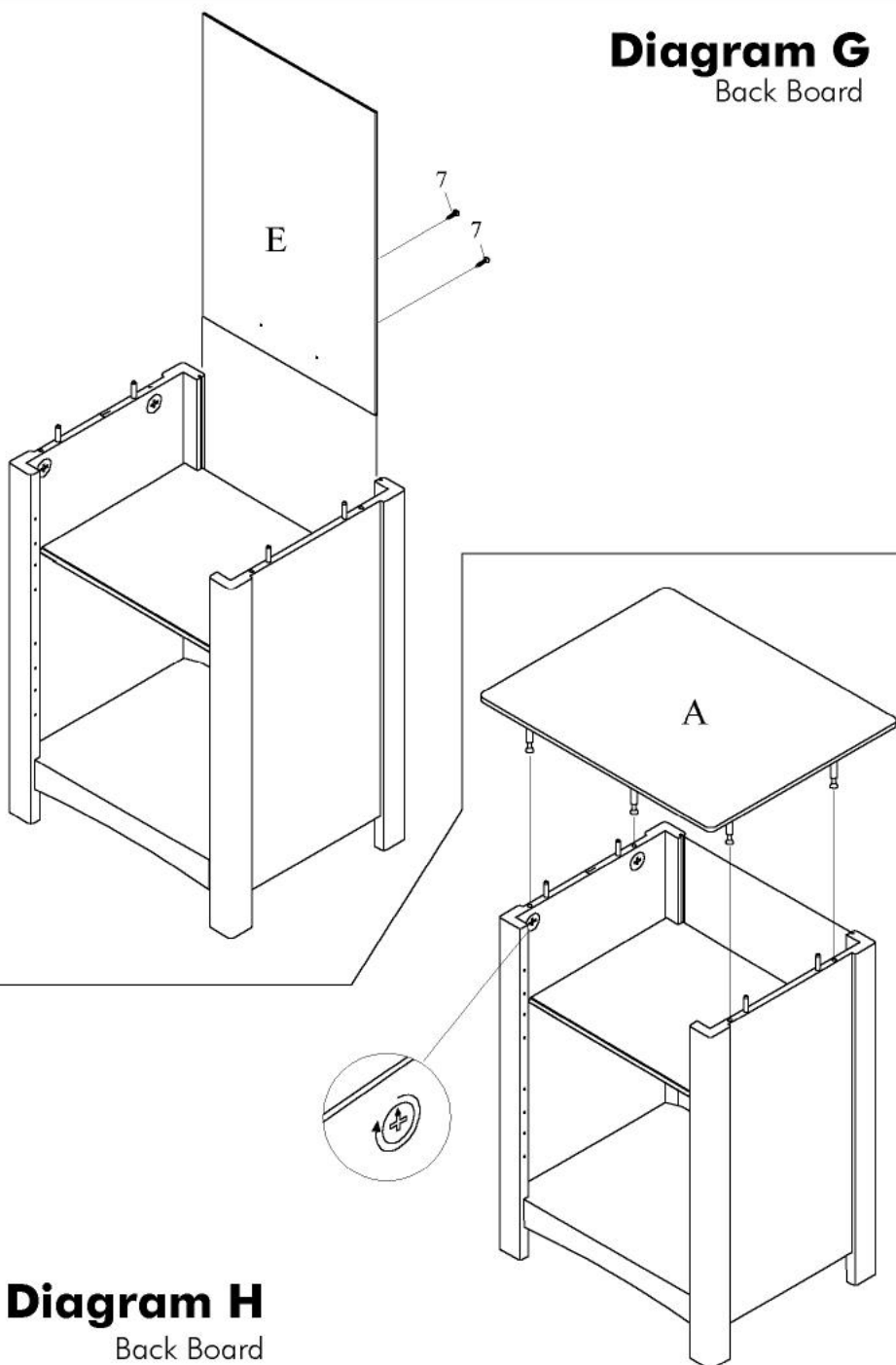


Diagram H

Back Board

McGalls.com

Diagram I

Door & Brass Knob

